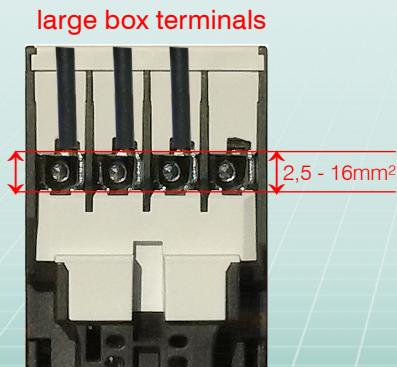


Capacitor Switching Contactors K3-18NBK..

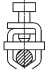
- Large box terminals for cables up to 16mm²
- For 3 phase Capacitors up to 12,5 kVAr (400V)
- Thermal properties and overload factors improved
- International approbations



New

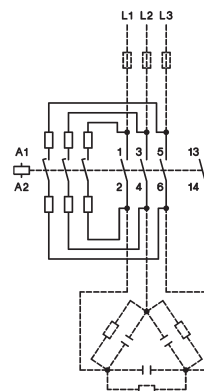


Technical data according to IEC/ EN 60947-4-1, VDE 0660

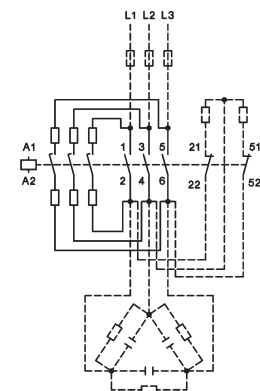
	Type	K3-18NBK..	
AC1 $I_e (=I_{th})$	open at 50°C open at 60°C	A	45
AC6b I_e	open at 50°C open at 60°C	A	0 - 18
		A	0 - 18
	380-400V open at 50°C 380-400V open at 60°C	kVAr	0 - 12,5
		kVAr	0 - 12,5
Overload factor	at 50°C	%	150
acc. EN 61921 min. 30%	at 60°C	%	122
Max frequency of operations z		1/h	120
Contact life			
non reactive capacitor banks		S x 10 ³	250
reactive capacitor banks		S x 10 ³	400
Fuse		gL (gG)A	35 - 63
Cable cross-sections			
1 cable per clamp			
main connector solid or stranded	mm ²	2,5 - 16	
flexible	mm ²	2,5 - 10	
flexible with multicore cable end	mm ²	2,5 - 10	
2 cables per clamp			
solid or stranded	mm ²	16+(1,5-2,5)	
	mm ²	10+(1,5-6)	
	mm ²	6+(1,5-10)	
	mm ²	4+(1,5-10)	
flexible	mm ²	16+(1,5-2,5)	
	mm ²	10+(1,5-4)	
	mm ²	6+(1,5-6)	

Circuit Diagrams

Typical Circuit Diagram



Wiring for Discharging Resistors



Dimensions K3-18NBK..

